

## **Two - Handle Lavatory Faucet**

# Product Spec Sheet



### **FEATURES & BENEFITS**

GLL-405CF  
Chrome Finish

- This Product Contains Less Than 0.25% Weighted Average Lead Content On Wetted Surfaces
- Metal Lever Handle
- Washerless Cartridge
- 50/50 Push Pop-Up
- Max Flow Rate 1.2 GPM (4.5L/Min) At 60 PSI (ASME A112.18.1/A112.18.1)

### **Approvals:**

Meets or Exceeds The Following:

- \* ANSI/ASME A112.18.1/A112.18.1
- \* NSF/ANSI 61 - Sec. 9
- \* NSF/ANSI 372
- \* IAPMO/cUPC
- \* CA AB1953
- \* ADA Compliant
- \* EPA WaterSense
- \* NSF/ANSI/CAN 61:  $Q \leq 1$



**TEL: 888-649-0605**

**FAX: 877-892-1950**

Visit Our Web Site : [www.gemlinefaucets.com](http://www.gemlinefaucets.com)

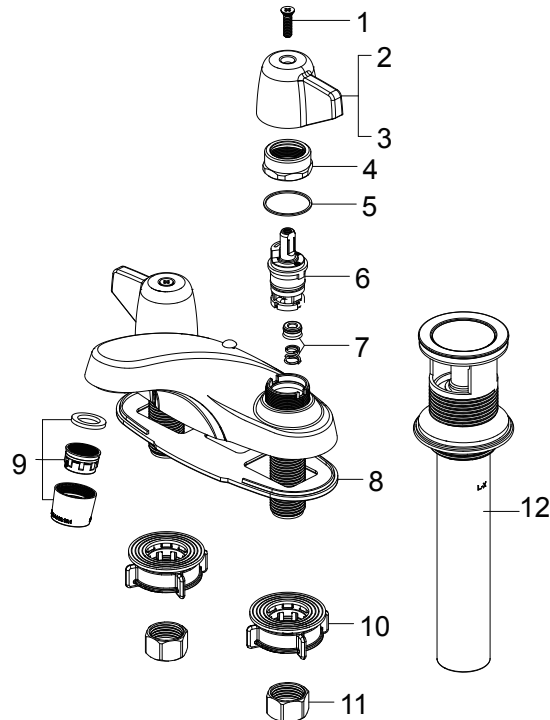
## Two - Handle Lavatory Faucet

**No. Name**

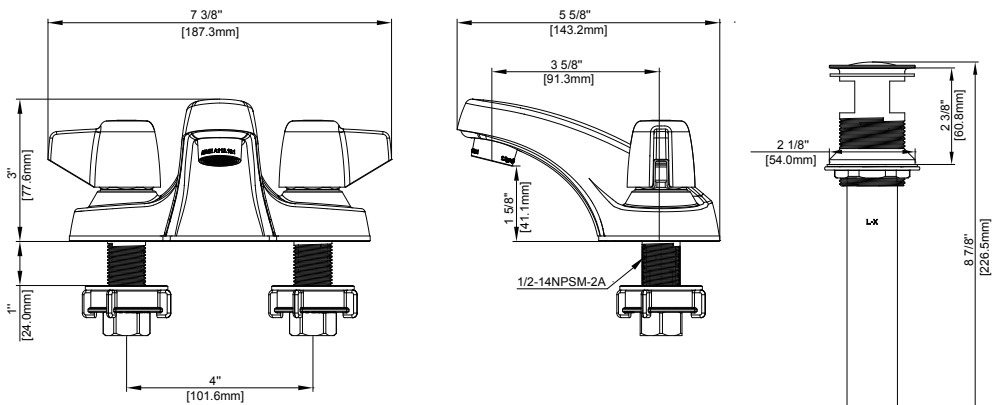
- 1 Screw / Tornillo
- 2 Handle H / Llave H
- 3 Handle C / Llave C
- 4 Bonnet / Bonete
- 5 Washer / Arandela
- 6 Cartridge / Cartucho
- 7 Seat & Spring / Base y resorte
- 8 Gasket / Junta
- 9 Aerator / Aireado
- 10 Easy install nut / Tuerca fácil de instalar
- 11 Coupling nut / Tuerca de acoplamiento
- 12 Pop-up assembly / Ensamblaje emergente

**Part No.**

- RP50210
- RP13765\*
- RP13766\*
- RP70678
- RP64124
- RP22010
- RP22008
- RP80751
- RP30190\*
- RP56095
- RP56002
- RP40137\*



\* Specify Finish  
\* Especificque el Acabado



**Product Spec Sheet**